

**GROVE**

ABDECKUNG KRANTRAEGER 2,55M  
COVERING CRANE CARRIER 2,55M

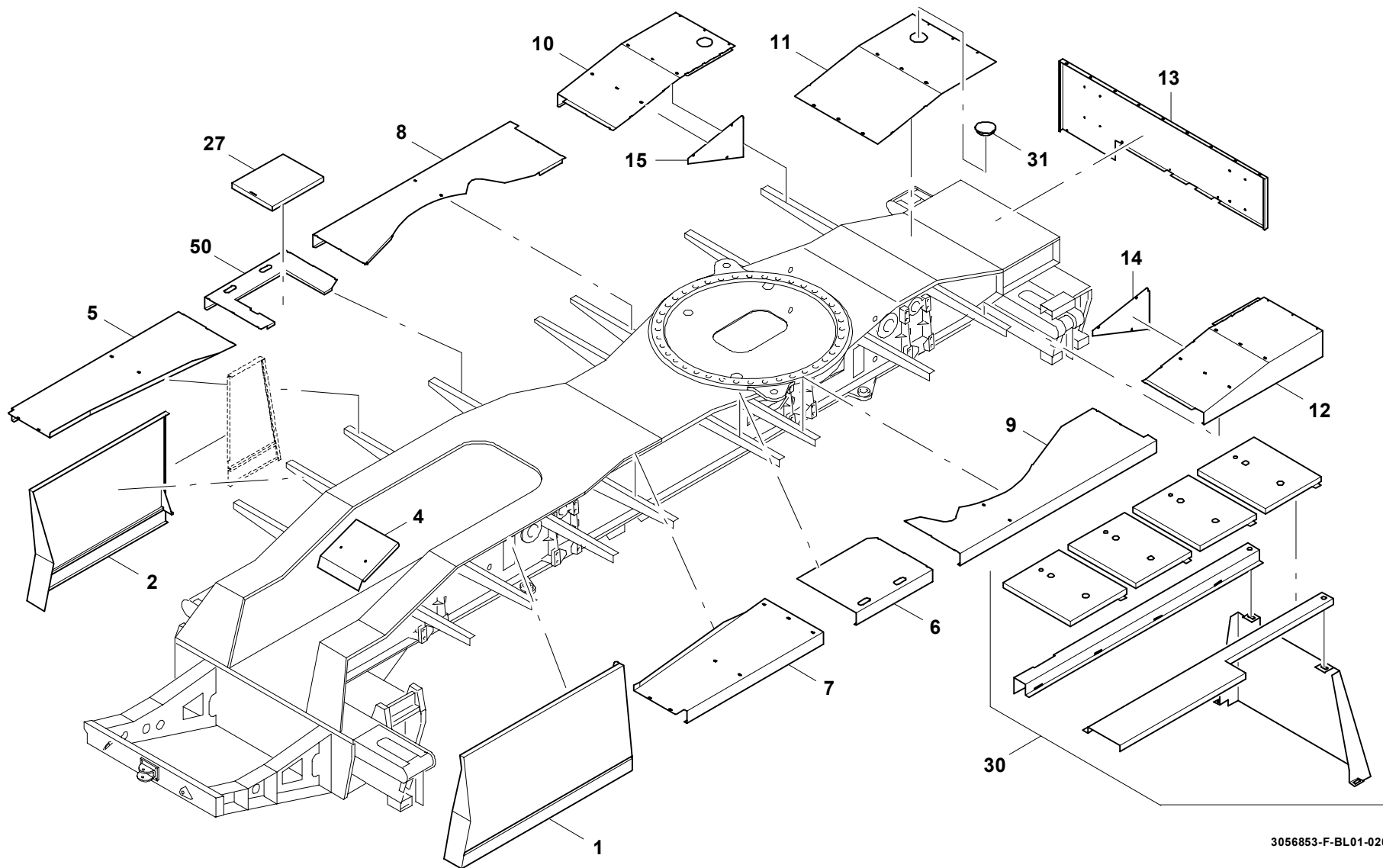
BILDTAFEL  
PICTORIAL DISPLAY

**GMK 4080**  
**BE 504**  
**G 034**

02.04

**3056853-ETL F**

1/2



3056853-F-BL01-0204-4075

**GROVE**

ABDECKUNG KRANTRAEGER 2,55M  
COVERING CRANE CARRIER 2,55M

BILDТАFEL  
PICTORIAL DISPLAY

02.04

**3056853-ETL F**

2/2

**GMK 4080**  
**BE 504**  
**G 034**

